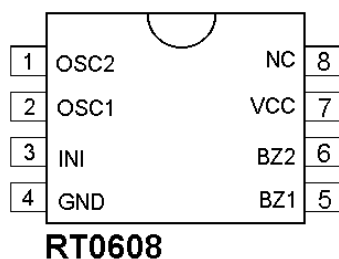


The RT0608 is a CMOS design for six different alarm sounds application. The sound of RT0608 will be generated in cycling sequence.

FEATURES :

1. Low Operating Voltage 2V~5V.
2. CMOS process.
3. On-chip RC oscillator.
4. 6 different sounds.
5. Low stand by current.

PIN DIAGRAM



PIN OUT AND DESCRIPTION

Symbol	Description	PIN	I/P, O/P
OSC2	Oscillator pin with external resistor.	1	O/P
OSC1		2	I/P
INI	An internal pull-up resistor. Might disable sound out of BZ1, BZ2 while connected GND.	3	I/P
GND	Ground	4	
BZ1	SIREN sound output pin.	5	O/P
BZ2		6	O/P
VCC	Power pin.	7	
NC	No connecting.	8	

ELECTRICAL CHARACTERISTICS

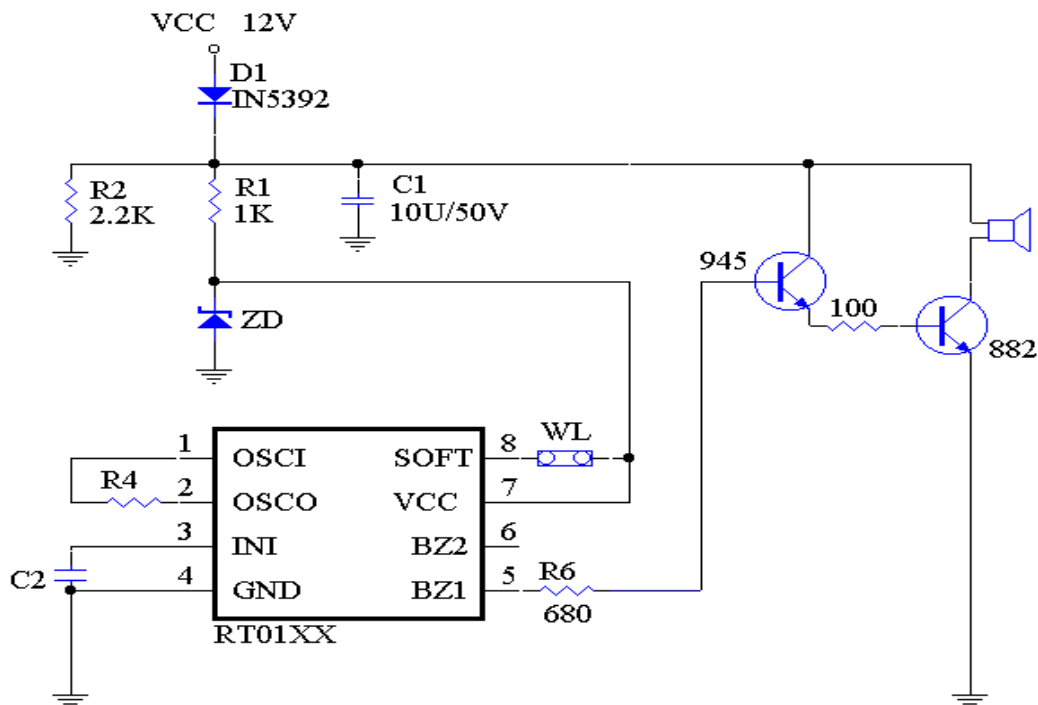
VCC=3V, Temp. =25°C

Parameter	Symbol	Min.	Typ.	Max.	Unit
Operating Voltage	VCC	2.0	3.0	5.0	V
Stand-By Current	I _{sb}		10	20	uA
Operating Current	I _{op}		300	500	uA
BZ1, BZ2 Driving Current	I _{oh}	1.0			mA
	I _{ol}	1.0			mA
Operating Frequency	F _{op}	70	80	128	K Hz

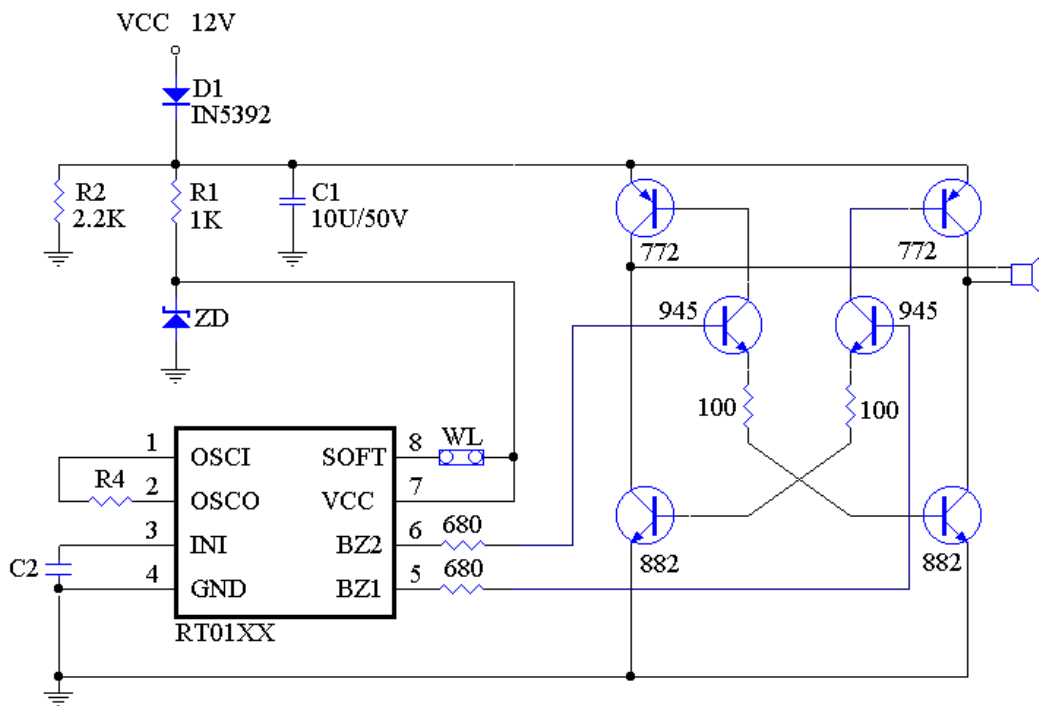
ABSOLUTE MAXIMUM RATINGS

Symbol	Parameter	Rating	Unit
VCC	Supply Voltage	-0.3 ~ 6	V
V _i	Input Voltage	-0.3 ~ V _{cc} +0.3	V
V _o	Output Voltage	-0.3 ~ V _{cc} +0.3	V
T _{st}	Storage Temperature	-40 ~ 125	°C
T _{tp}	Operating Temperature	0 ~ 65	°C

APPLICATION CIRCUIT



I C TYPE	ZD	R4	C2
RT0100/0102/0103	2.7V	100K	103
RT0104/0105/0106	4.7V	160K	N.C
RT0608/0610	3.3V	82K	103



I C TYPE	ZD	R4	C2
RT0100/0102/0103	2.7V	100K	103
RT0104/0105/0106	4.7V	160K	N.C
RT0608/0610	3.3V	82K	103